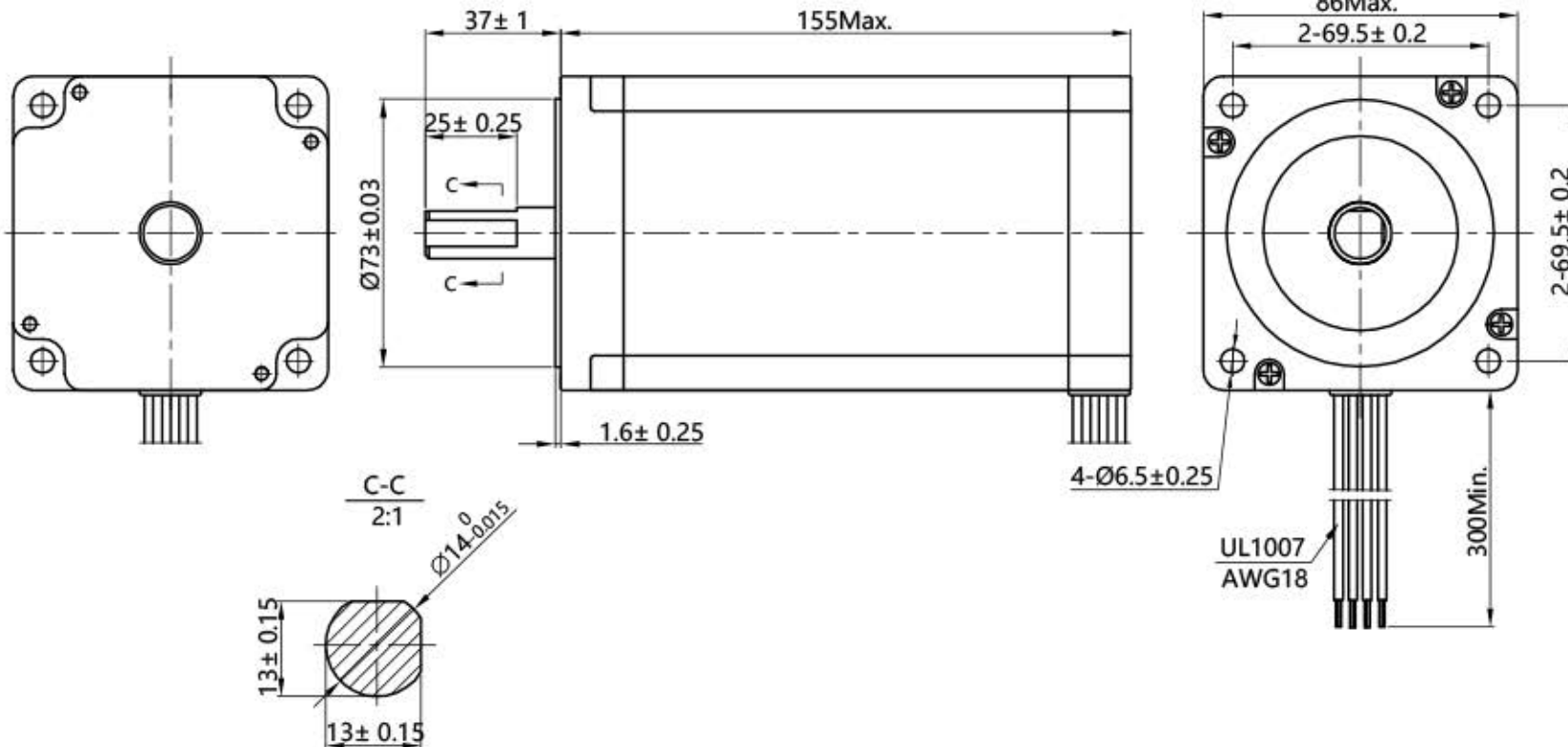
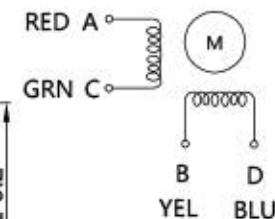


HYBRID STEPPING MOTOR SPECIFICATION

DIMENSIONS unit=mm



Wiring Diagram



Exciting Sequence vs. Direction of Rotation

STEP	A	B	C	D	
1	+	+	-	-	
2	-	+	+	-	
3	-	-	+	+	
4	+	-	-	+	

Clockwise view from mounting side



1、 Number of Phase	2				
2、 Step Angle	1.8° deg.				
3、 Rated Voltage	4.08 V				
4、 Rated Current/Phase	6 A (Peak Value)				
5、 Phase Resistance	0.68 Ω ± 0.1(20°C)				
6、 Phase Inductance	9 mH ± 20%(1kHz 1V RMS)				
7、 Holding Torque	13 N.m				
8、 Insulation Class	B (130°) ; 80K Max.				
9、 Weight	5.6 kg				
Specifications		Comment			

REV.	REVISION RECORD	DATE
	DESIGN	
	STANDARD	
	TECHNOLOGY	
	CHECK	
	APPROVE	

常州倍士福机电有限公司
www.besfoc.cn

Specification

TITLE	STEPPING MOTOR				
DWG.NO.	BF86HS155-6004				
MATERIAL	ECN SIGN	*	SIZE	A4	
REV.	A	SCALE	1:2	SHEET	1 of 1