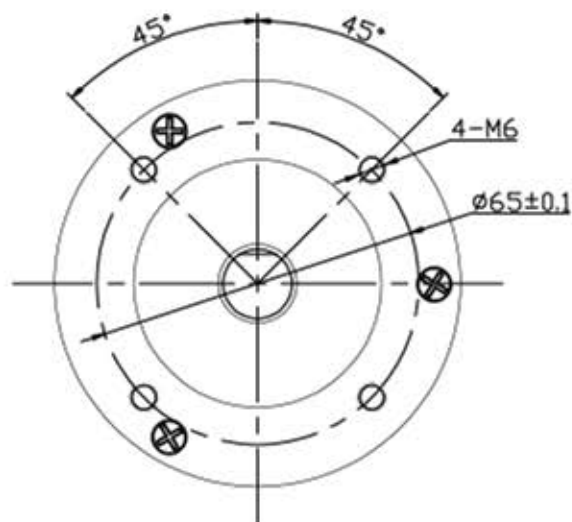
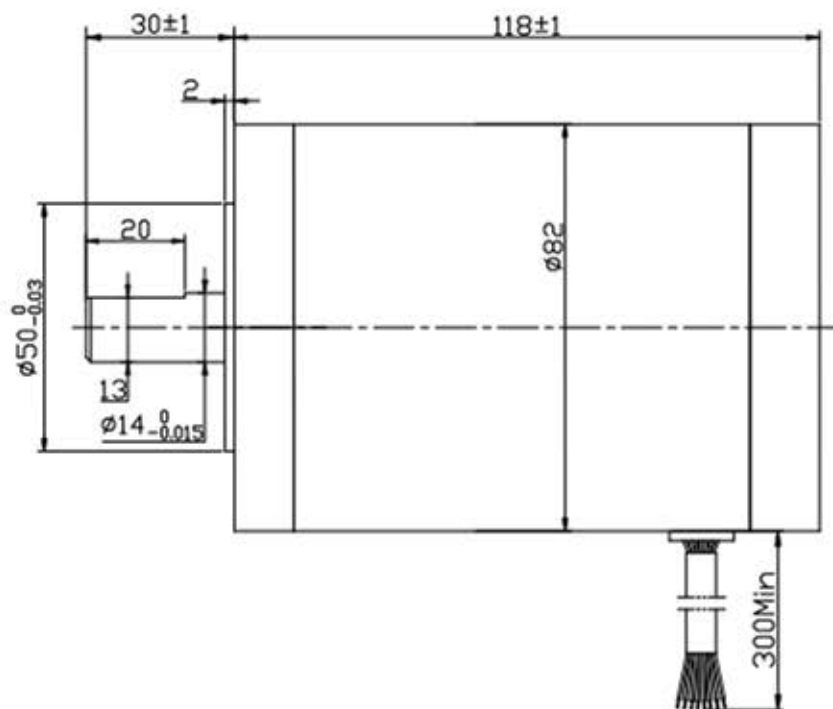


Dimension:
Unit=mm

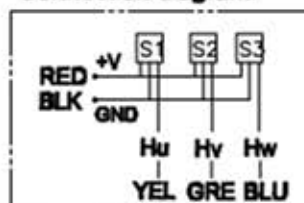


ROTATION: CCW SEE FROM LEAD END

| | |
|--------------------------|--------------|
| MANUFACTURER MODEL | JK80BLS03 |
| NUMBER OF POLES | 4 |
| PHASE TO PHASERESISTANCE | 0.35 DHMS |
| NOMINAL VOLTAGE | 48 VDC |
| NO LOAD SPEED | 3700±10% RPM |
| NO LOAD CURRENT | 1 Amps Max. |
| RATED TORQUE | 1.05 N-m |
| RATED SPEED | 3000±10% RPM |
| OUTPUT POWER | 330 W |
| BACK EMF CONSTANT | 13 V/kRPM |
| TORQUE CONSTANT | 0.124 N-m/A |
| INSULATION CLASS | B |

| ELECTRICAL CONNECTION TABLE | | | |
|-----------------------------|-----|---|------------------|
| +5V | RED | 紅 | UL1007 26 AWG |
| HALL U | YEL | 黃 | |
| HALL V | GRE | 綠 | |
| HALL W | BLU | 藍 | UL1015 18 AWG |
| GND | BLK | 黑 | |
| PHASE U | YEL | 黃 | |
| PHASE V | GRE | 綠 | |
| PHASE W | BLU | 藍 | |

Connection diagram:



Hall sensor cable
Note: hall sensor power supply
voltage +5 to +20VDC



Wiring cable

| | | | | | | | | | | | |
|--------------------|--|--|--|-------|--|-----------|--|----------------------|--|--|---------------|
| REV. QTY. No. | | | | SIG. | | DATE | | Title: | | | 常州倍士福机电有限公司 |
| DESIGN WH 18.01.08 | | | | STD. | | | | Specification | | | |
| CHECK | | | | APPR. | | PAGE: 1/1 | | CLS.MAK WEIGHT SCALE | | | BF80BLS03 |
| PROC. | | | | | | | | | | | www.besfoc.cn |