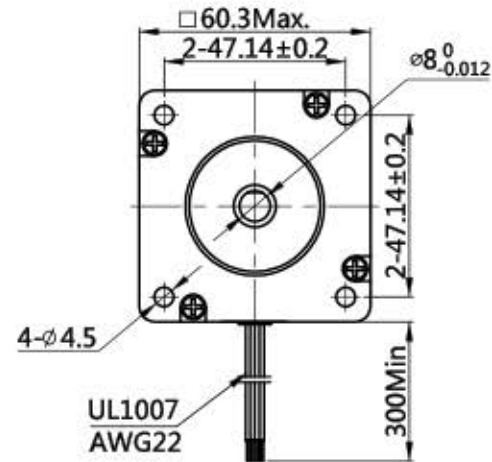
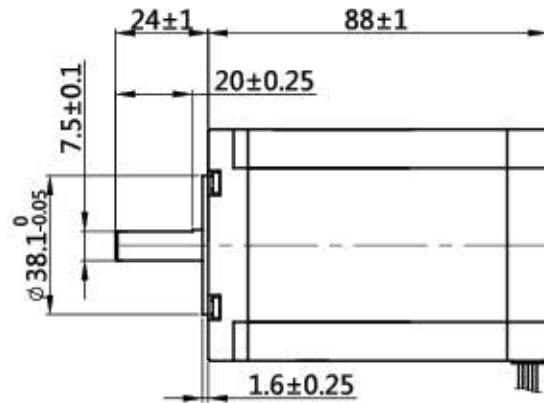
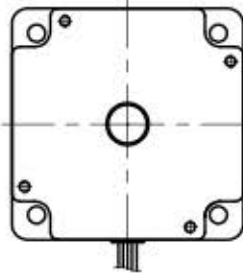
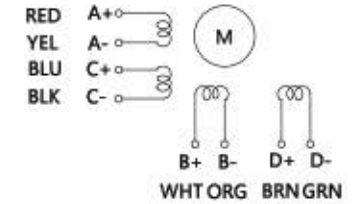


HYBRID STEPPING MOTOR SPECIFICATION

DIMENSIONS unit=mm



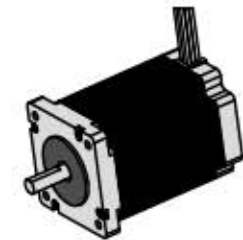
Wiring Diagram



Exciting Sequence vs. Direction of Rotation

| STEP | A | B | C | D | Direction |
|------|---|---|---|---|---------------|
| 1 | + | + | - | - | ↑ CCW ↓ CW |
| 2 | - | + | + | - | |
| 3 | - | - | + | + | |
| 4 | + | - | - | + | |

Clockwise view from mounting side



| | | | |
|------------------------|--------------------|----------|----------|
| 1, Number of Phase | 4 | | |
| 2, Step Angle | 1.8° deg. | | |
| 3, Wiring | PARALLEL | UNIPOLAR | SERIES |
| 4, Rated Voltage | 4.2 V | 6 V | 8.4 V |
| 5, Rated Current/Phase | 2.8 A | 2 A | 1.4 A |
| 6, Phase Resistance | 1.5 Ω | 3 Ω | 6 Ω |
| 7, Phase Inductance | 6.8 mH | 6.8 mH | 27.2 mH |
| 8, Holding Torque | 31 kg.cm | 22 kg.cm | 31 kg.cm |
| 9, Insulation Class | B (130°); 80K Max. | | |
| 10, Weight | | | |

Specifications

Comment

| REV. | REVISION RECORD | DATE |
|------------|------------------------------|------|
| DESIGN | 常州倍士福机电有限公司 www.besfoc.cn | |
| STANDARD | | |
| TECHNOLOGY | | |
| CHECK | | |
| APPROVE | | |

Specification

| | | | | | |
|----------|----------------|-------|------|-------|--------|
| TITLE | STEPPING MOTOR | | | | |
| DWG.NO. | BF60HS88-2008 | | | | |
| MATERIAL | ECN SIGN | ※ | SIZE | A4 | |
| REV. | A | SCALE | 1:2 | SHEET | 1 of 1 |