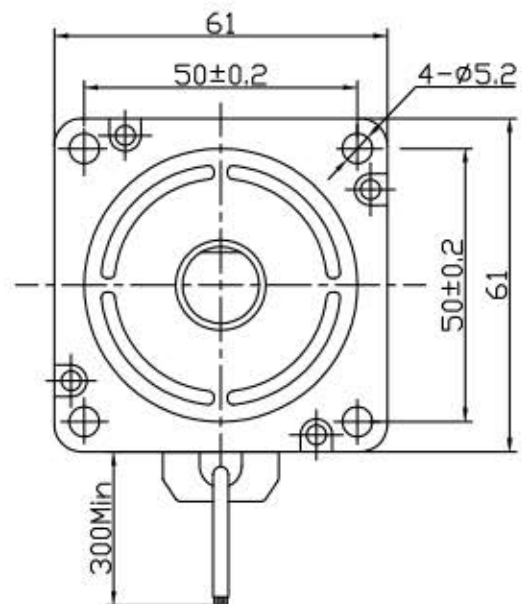
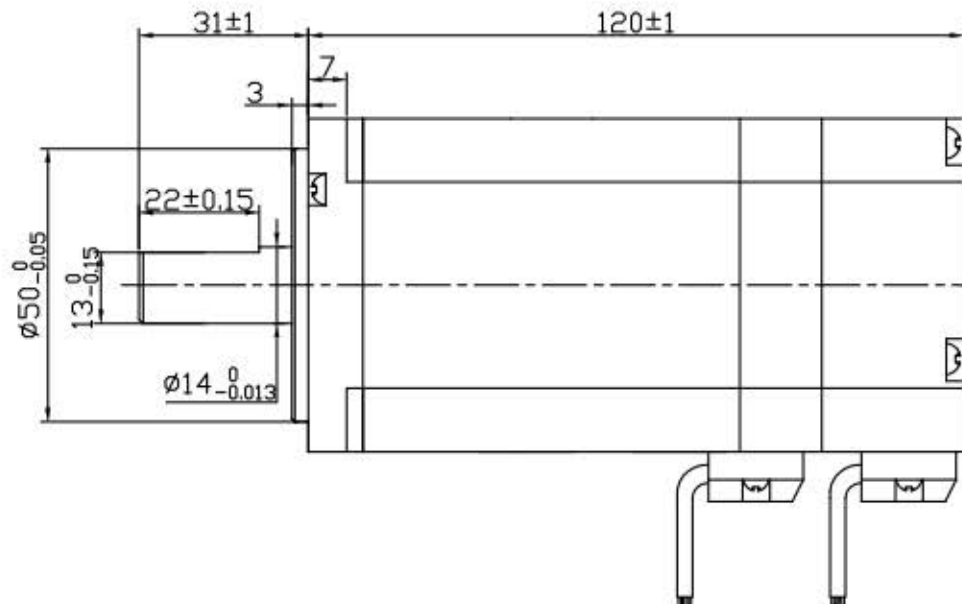


Dimension:  
Unit=mm



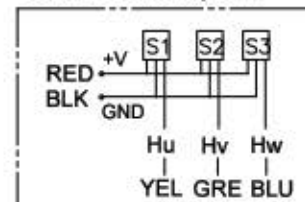
ROTATION: CW VIEWED FROM OUTPUT SHAFT

MANUFACTUER MODEL	JK60BLS03
NUMBER OF POLES	8
PHASE TO PHASERESISTANCE	0.5 OHMS
NOMINAL VOLTAGE	48 VDC
NO LOAD SPEED	3800±10% RPM
NO LOAD CURRENT	0.8 Amps Max.
RATED TORQUE	0.9 N-m
RATED SPEED	3000±10% RPM
OUTPUT POWER	283 W
BACK EMF CONSTANT	12.6 V/kRPM
TORQUE CONSTANT	0.12 N-m/A
INSULATION CLASS	B

ELECTRICAL CONNECTION TABLE

+5V	RED	紅	五芯屏蔽线
HALL U	YEL	黃	
HALL V	GRE	綠	
HALL W	BLU	藍	
GND	GND	黑	FF46-1 AF1.5mm <sup>2</sup>
PHASE U	YEL	黃	
PHASE V	GRE	綠	
PHASE W	BLU	藍	

Connection diagram:



Hall sensor cable  
Note: hall sensor power supply  
voltage +5 to +20VDC



Wiring cable

REV.	QTY.	No.	SIG.	DATE
DESIGN			STD.	
CHECK				
PROC.			APPR.	

Title:		
Specification		
CLS.MAK	WEIGHT	SCALE
PAGE: 1/1		

常州倍士福机电有限公司

BF60BLS03

www.besfoc.cn