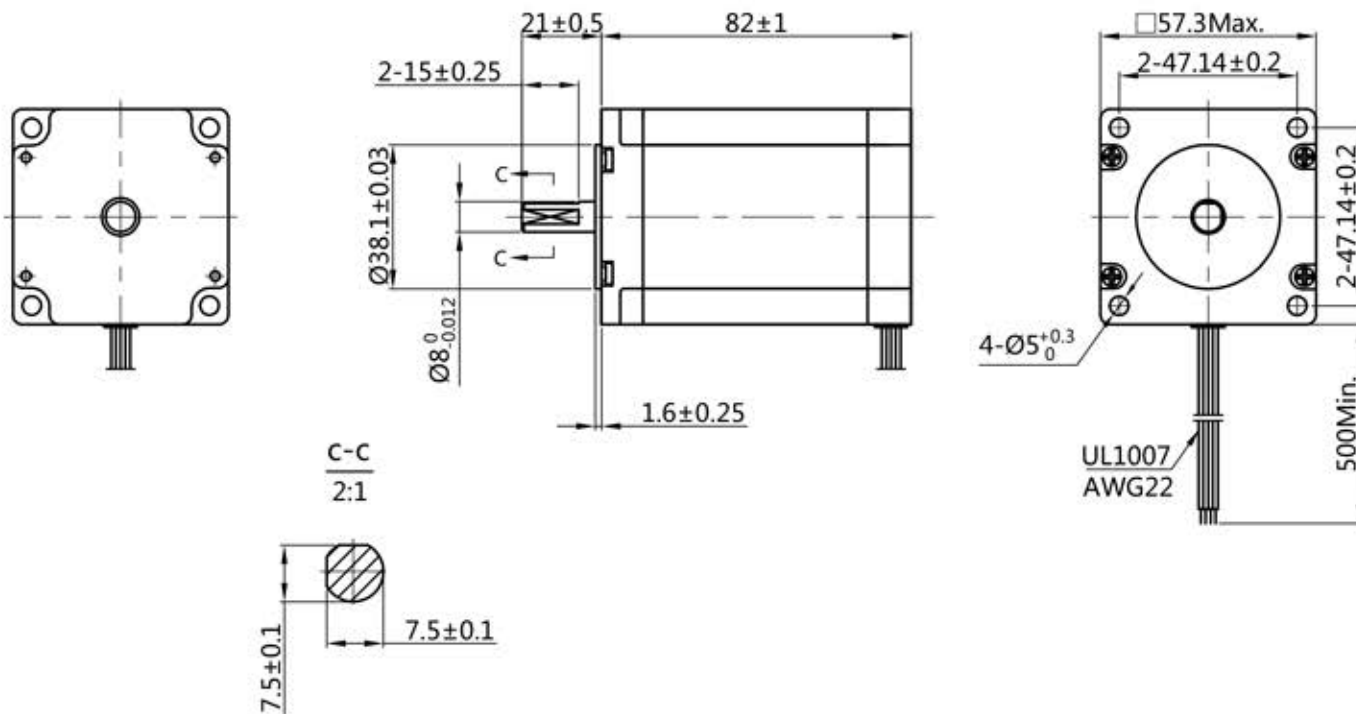
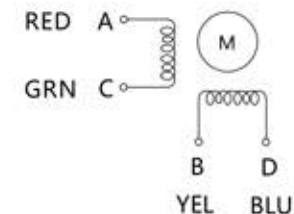


HYBRID STEPPING MOTOR SPECIFICATION

DIMENSIONS unit=mm



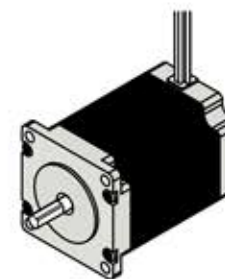
Wiring Diagram



Exciting Sequence vs. Direction of Rotation

STEP	A	B	C	D	
1	+	+	-	-	↓ CW ↑ CCW
2	-	+	+	-	
3	-	-	+	+	
4	+	-	-	+	

Clockwise view from mounting side



1. Number of Phase	2				
2. Step Angle	1.8° deg.				
3. Rated Voltage	3.6 V				
4. Rated Current/Phase	3 A (Peak Value)				
5. Phase Resistance	1.2 Ω±10%(20°C)				
6. Phase Inductance	4 mH±20%(1kHz 1V RMS)				
7. Holding Torque	21 Kg.cm				
8. Insulation Class	B (130°); 80K Max.				
9. Weight	1.2 kg				
Specifications		Comment			
		REV.		REVISION RECORD	DATE
		DESIGN			www.besfoc.cn
		STANDARD			
		TECHNOLOGY			
		CHECK			
		APPROVE			Specification

TITLE	STEPPING MOTOR				
DWG.NO.	BF57HS82-3004				
MATERIAL	ECN SIGN	✱	SIZE	A4	
REV.	A	SCALE	1:2	SHEET	1 of 1