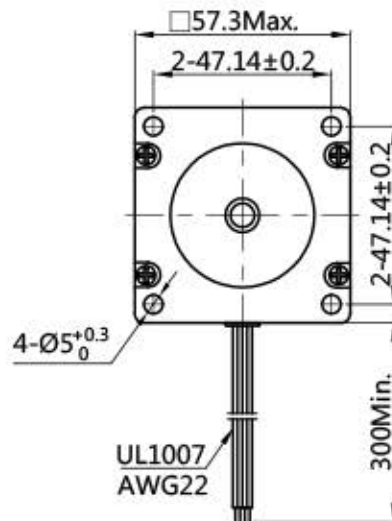
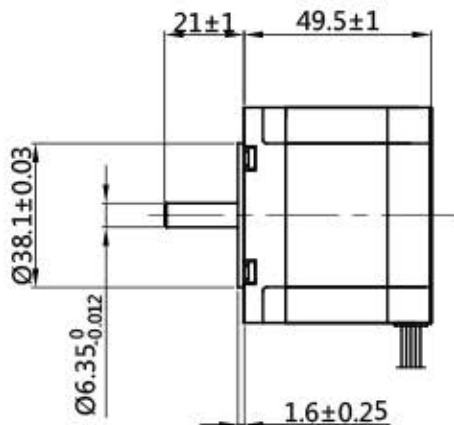
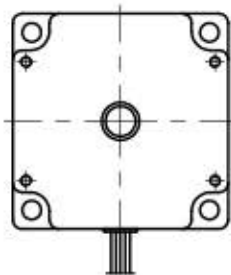
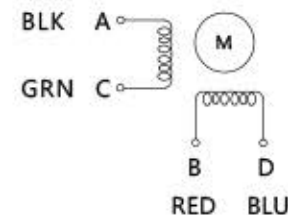


# HYBRID STEPPING MOTOR SPECIFICATION

DIMENSIONS unit=mm



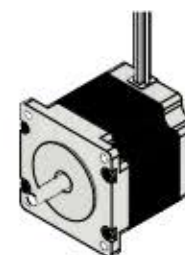
Wiring Diagram



Exciting Sequence vs. Direction of Rotation

STEP	A	B	C	D	
1	+	+	-	-	↓ CCW ↑ CW
2	-	+	+	-	
3	-	-	+	+	
4	+	-	-	+	

Clockwise view from mounting side



1. Number of Phase	2				
2. Step Angle	1.8° deg.				
3. Rated Voltage	2.3 V				
4. Rated Current/Phase	2.8 A ( Peak Value )				
5. Phase Resistance	0.83 Ω±0.1(20°C)				
6. Phase Inductance	2.2 mH±20%(1kHz 1V RMS)				
7. Holding Torque	10.1 Kg.cm				
8. Insulation Class	B ( 130° ) ; 80K Max.				
9. Weight	0.59 kg				
<b>Specifications</b>		<b>Comment</b>			
		REV.		REVISION RECORD	
		DESIGN		DATE	
		STANDARD		常州倍士福机电有限公司	
		TECHNOLOGY		www.besfoc.cn	
		CHECK		Specification	
		APPROVE			

TITLE	STEPPING MOTOR				
DWG.NO.	BF57HS51-2804				
MATERIAL	ECN SIGN	※	SIZE	A4	
REV.	A	SCALE	1:2	SHEET	1 of 1