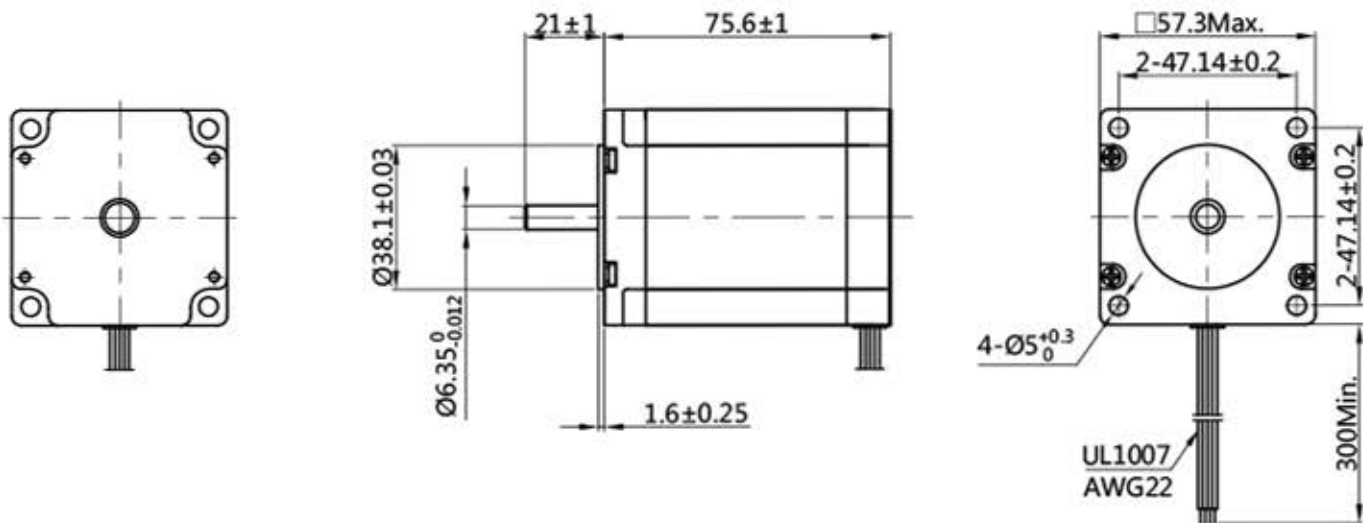
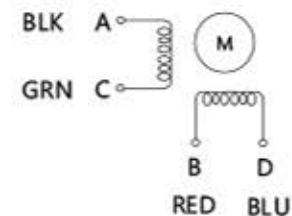


HYBRID STEPPING MOTOR SPECIFICATION

DIMENSIONS unit=mm



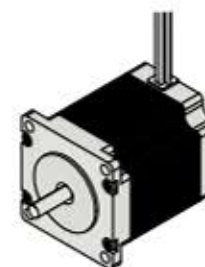
Wiring Diagram



Exciting Sequence vs. Direction of Rotation

STEP	A	B	C	D	
1	+	+	-	-	↓ CW ↑ CCW
2	-	+	+	-	
3	-	-	+	+	
4	+	-	-	+	

Clockwise view from mounting side



1. Number of Phase	2
2. Step Angle	0.9° deg.
3. Rated Voltage	3.2 V
4. Rated Current/Phase	2.8 A (Peak Value)
5. Phase Resistance	1.15 Ω±10%(20°C)
6. Phase Inductance	5.6 mH±20%(1kHz 1V RMS)
7. Holding Torque	18 Kg.cm
8. Insulation Class	B (130°) ; 80K Max.
9. Weight	1.1 kg

Specifications

Comment

REV.	REVISION RECORD	DATE
DESIGN	常州倍士福机电有限公司 www.besfoc.cn Specification	
STANDARD		
TECHNOLOGY		
CHECK		
APPROVE		

TITLE	STEPPING MOTOR				
DWG.NO.	BF57HS76-2804				
MATERIAL	ECN SIGN	※	SIZE	A4	
REV.	A	SCALE	1:2	SHEET	1 of 1