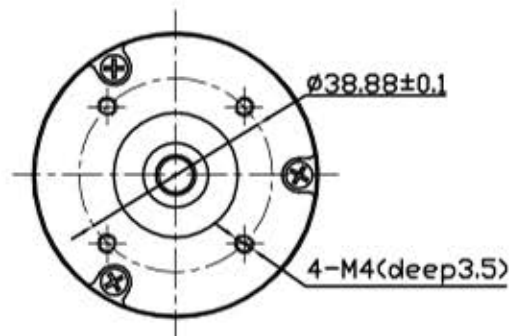
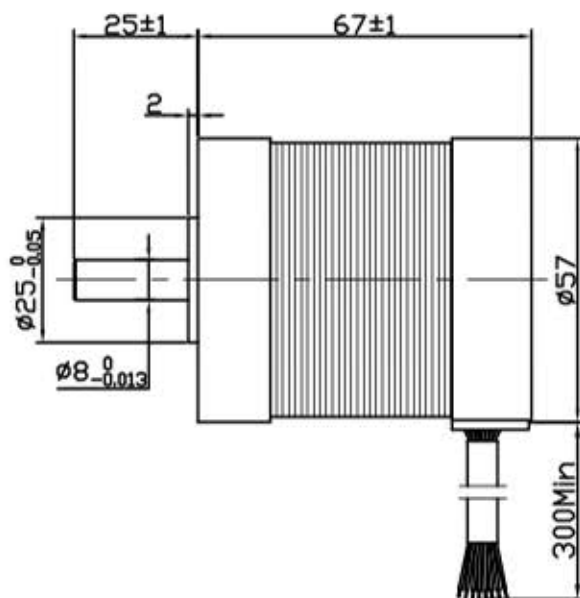


Dimension:
Unit=mm



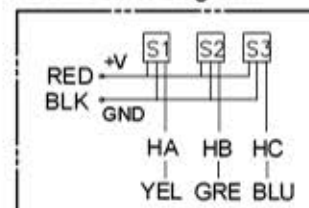
ROTATION: CCW SEE FROM LEAD END

MANUFACTURER MODEL	JK57BLS02
NUMBER OF POLES	4
PHASE TO PHASE RESISTANCE	0.9 OHMS
NOMINAL VOLTAGE	36 VDC
NO LOAD SPEED	4800±10% RPM
NO LOAD CURRENT	0.5 Amps Max.
RATED TORQUE	0.22 N-m
RATED SPEED	4000±10% RPM
OUTPUT POWER	92 W
BACK EMF CONSTANT	7.5 V/kRPM
TORQUE CONSTANT	0.072 N-m/A
INSULATION CLASS	B

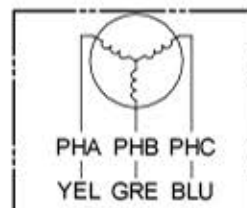
ELECTRICAL CONNECTION TABLE

+5V	RED	紅	UL1007 26AWG
HALL U	YEL	黃	
HALL V	GRE	綠	
HALL W	BLU	藍	
GND	GND	黑	
PHASE U	YEL	黃	UL1007 20AWG
PHASE V	GRE	綠	
PHASE W	BLU	藍	

Connection diagram:



Hall sensor cable
Note: hall sensor power supply
voltage +5 to +20VDC



Wiring cable

REV.						Title: Specification	常州倍士福机电有限公司		
DESIGN									
CHECK						CLS.MAK	WEIGHT	SCALE	BF57BLS02
PROC.						PAGE:	1/1		
							www.besfoc.cn		