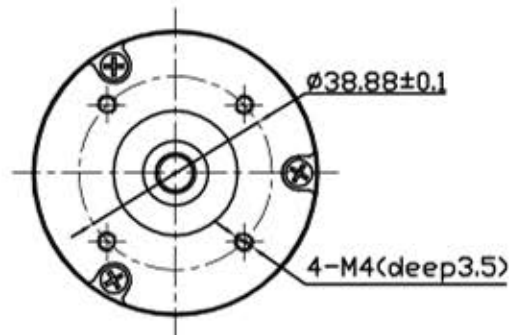
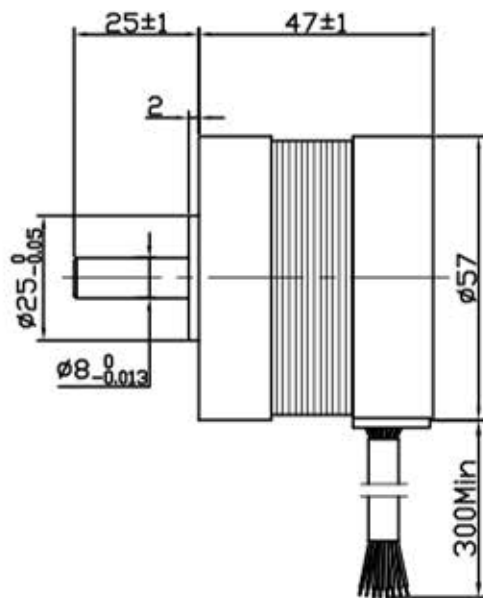


Dimension:  
Unit=mm



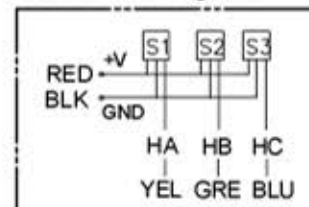
ROTATION: CCW SEE FROM LEAD END

MANUFACTURER MODEL	JK57BLS01
NUMBER OF POLES	4
PHASE TO PHASE RESISTANCE	2.2 OHMS
NOMINAL VOLTAGE	36 VDC
NO LOAD SPEED	4800±10% RPM
NO LOAD CURRENT	0.35 Amps Max.
RATED TORQUE	0.11 N-m
RATED SPEED	4000±10% RPM
OUTPUT POWER	46 W
BACK EMF CONSTANT	7.5 V/kRPM
TORQUE CONSTANT	0.072 N-m/A
INSULATION CLASS	B

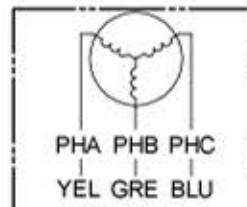
ELECTRICAL CONNECTION TABLE

+5V	RED	红	UL1007 26AWG
HALL U	YEL	黄	
HALL V	GRE	绿	
HALL W	BLU	蓝	
GND	GND	黑	
PHASE U	YEL	黄	UL1007 20AWG
PHASE V	GRE	绿	
PHASE W	BLU	蓝	

Connection diagram:



Hall sensor cable  
Note: hall sens or power supply  
voltage +5 to +20VDC



Wiring cable

REV.						Title: Specification	常州倍士福机电有限公司		
DESIGN									
CHECK						CLS.MAK	WEIGHT	SCALE	BF57BLS01
PROC.						PAGE:	1/1		
							www.besfoc.cn		