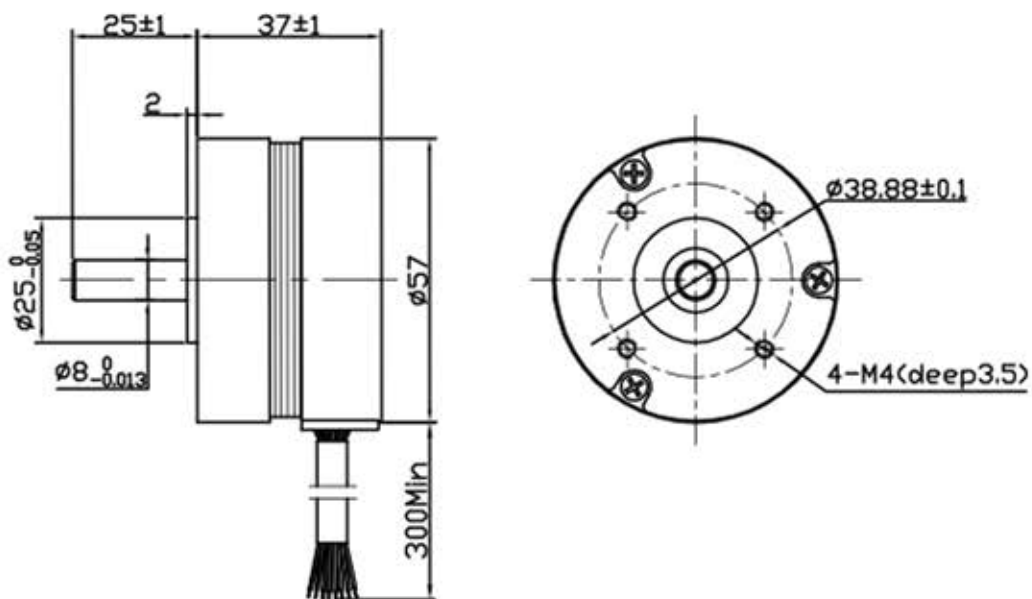


Dimension:  
Unit=mm



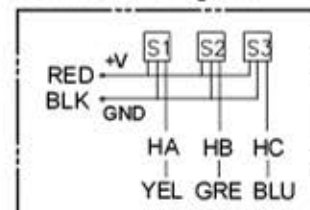
ROTATION: CCW SEE FROM LEAD END

MANUFACTURER MODEL	JK57BLS005
NUMBER OF POLES	4
PHASE TO PHASE RESISTANCE	5.1 OHMS
NOMINAL VOLTAGE	36 VDC
NO LOAD SPEED	4800±10% RPM
NO LOAD CURRENT	0.25 Amps Max.
RATED TORQUE	0.055 N-m
RATED SPEED	4000±10% RPM
OUTPUT POWER	23 W
BACK EMF CONSTANT	7.5 V/kRPM
TORQUE CONSTANT	0.072 N-m/A
INSULATION CLASS	B

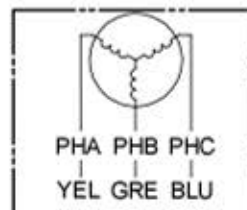
ELECTRICAL CONNECTION TABLE

+5V	RED	红	UL1007 26AWG
HALL U	YEL	黄	
HALL V	GRE	绿	
HALL W	BLU	蓝	
GND	GND	黑	
PHASE U	YEL	黄	UL1007 20AWG
PHASE V	GRE	绿	
PHASE W	BLU	蓝	

Connection diagram:



Hall sensor cable  
Note: hall sensor power supply  
voltage +5 to +20VDC



Wiring cable

				Title:			常州倍士福机电有限公司		
				Specification					
REV.	QTY.	No.	SIG.	DATE	CLS.MAK		WEIGHT	SCALE	BF57BLS005
DESIGN			STD.						
CHECK									
PROC.			APPR.		PAGE:		1/1		www.besfoc.cn