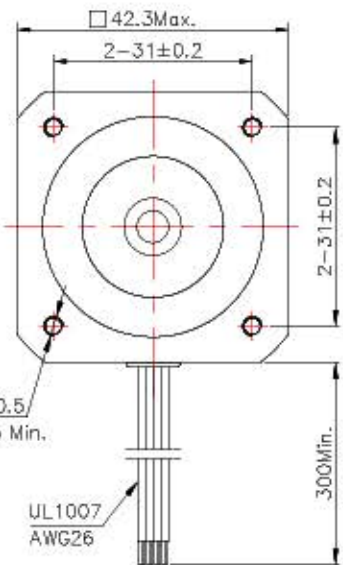
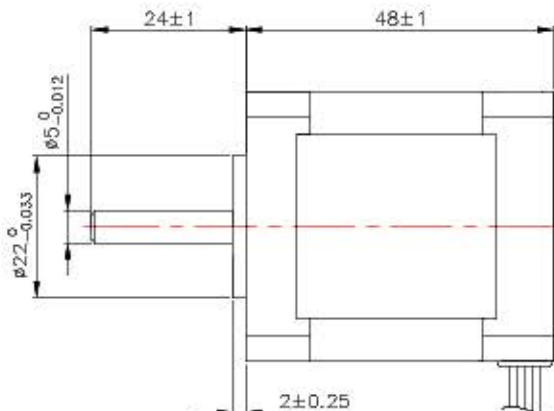
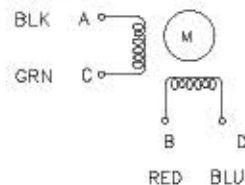


HYBRID STEPPING MOTOR SPECIFICATION

DIMENSIONS unit=mm



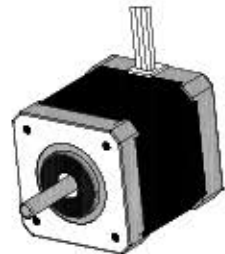
Wiring Diagram



Exciting Sequence vs. Direction of Rotation

STEP	A	B	C	D	
1	+	+	-	-	CCW ↑
2	-	+	+	-	
3	-	-	+	+	
4	+	-	-	+	

Clockwise view from mounting side



1. Number of Phase	2
2. Step Angle	1.8° deg.
3. Rated Power	6.92 W
4. Rated Voltage	5.76 V
5. Rated Current./Phase	1.2 A (峰値 Peak Value)
6. Phase Resistance	4.8 Ω±0.1 (20℃)
7. Phase Inductance	8.5 mH±20%(1kHz 1V RMS)
8. Holding Torque	5.5 kg.cm
9. Insulation Class	B (130°); 绝缘 B0K Max.
10. Weight	0.34 kg

REV.	REVISION RECORD	DATE
DESIGN	常州倍士福机电有限公司	
STANDARD	www.besfoc.cn	
TECHNOLOGY		
CHECK		
APPROVE	Specification	

TITLE	STEPPING MOTOR				
DWG. NO.	BF42HS48-1204				
MATERIAL	EDN SIGN	?	SIZE	A4	
REV.	A	SCALE	1:2	SHEET	1 of 1