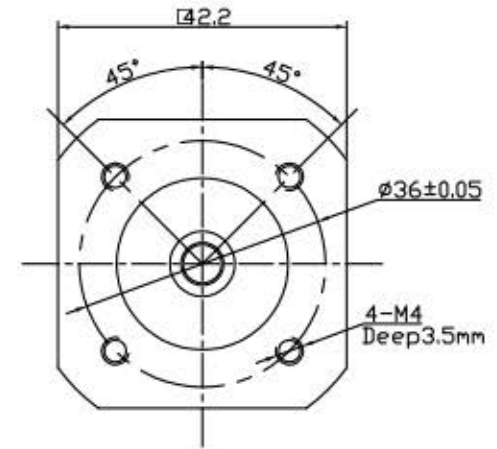
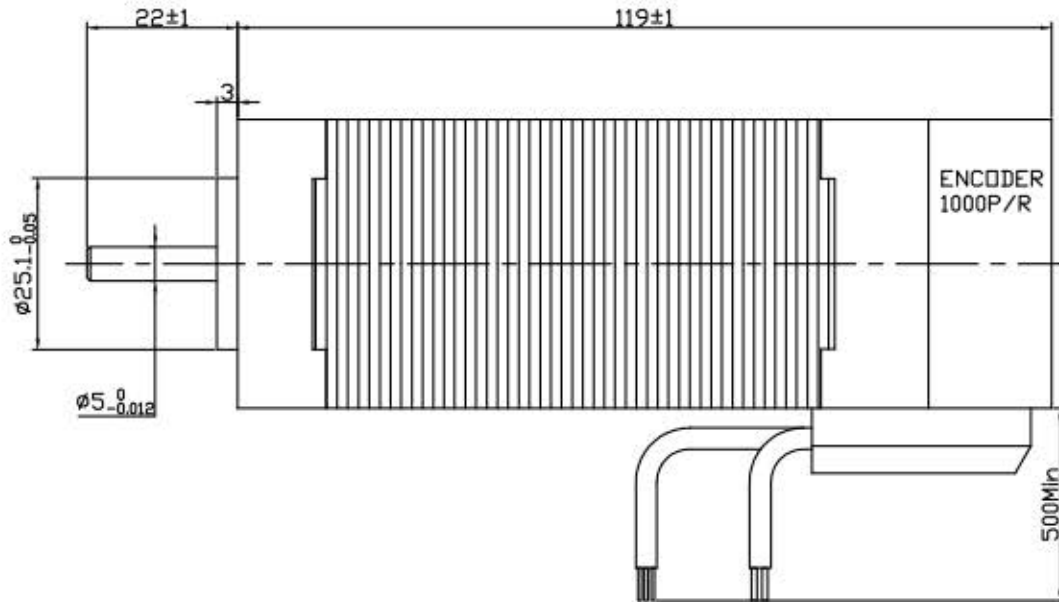


Dimension:
Unit=mm



ROTATION: CW VIEWED FROM OUTPUT SHAFT

MANUFACTUER MODEL	JK42BLS04-X028ED
NUMBER OF POLES	8
PHASE TO PHASERESISTANCE	0.36 OHMS
NOMINAL VOLTAGE	24 VDC
NO LOAD SPEED	6800±10% RPM
NO LOAD CURRENT	0.75 Amps Max.
RATED TORQUE	0.26 N-m
RATED SPEED	4000±10% RPM
OUTPUT POWER	110 W
BACK EMF CONSTANT	4.1 V/kRPM
TORQUE CONSTANT	0.04 N-m/A
INSULATION CLASS	B

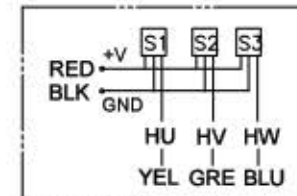
Encoder Wiring Diagram:

Vcc	Encoder Voltage(+5V)	RED 红
EGND	Encoder Grand(0V)	BLK 黑
EA	Encoder A phase input	GREEN 绿
EB	Encoder B phase input	BLUE 蓝
EZ	Encoder Z phase input	YELLOW 黄

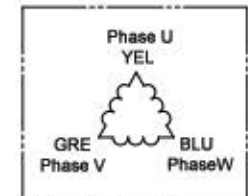
ELECTRICAL CONNECTION TABLE

+5V	RED	红	UL1007 26 AWG
HALL U	YEL	黄	
HALL V	GRE	绿	
HALL W	BLU	蓝	
GND	GND	黑	UL1007 20 AWG
PHASE U	YEL	黄	
PHASE V	GRE	绿	
PHASE W	BLU	蓝	

Connection diagram:



Hall sensor cable
Note: hall sensor power supply voltage +5 to +20VDC



Wiring cable

REV.						Title: Specification	常州倍士福机电有限公司			
DESIGN								CLS.MAK	WEIGHT	SCALE
CHECK										www.besfoc.cn
PROC.						PAGE:	1/1			