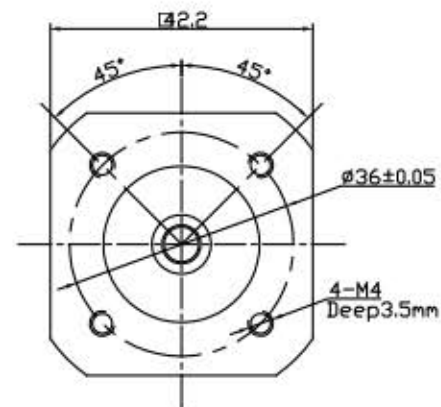
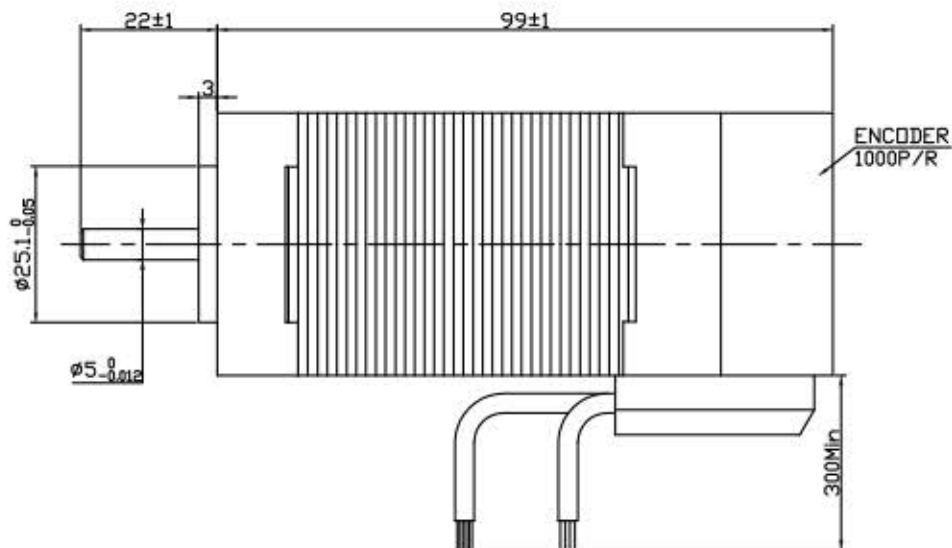


Dimension:
Unit=mm



ROTATION: CW VIEWED FROM OUTPUT SHAFT

MANUFACTURER MODEL	JK42BLS03-X024ED
NUMBER OF POLES	8
PHASE TO PHASERESISTANCE	0.55 OHMS
NOMINAL VOLTAGE	24 VDC
NO LOAD SPEED	6800±10% RPM
NO LOAD CURRENT	0.6 Amps Max.
RATED TORQUE	0.191 N-m
RATED SPEED	4000±10% RPM
OUTPUT POWER	80 W
BACK EMF CONSTANT	3.5 V/kRPM
TORQUE CONSTANT	0.034 N-m/A
INSULATION CLASS	B

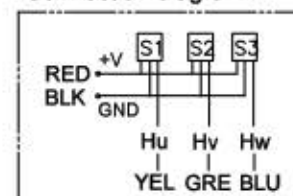
Encoder Wiring Diagram:

Vcc	Encoder Voltage(+5V)	RED 紅
EGND	Encoder Grand(0V)	BLK 黑
EA	Encoder A phase input	GREEN 綠
EB	Encoder B phase input	BLUE 藍
EZ	Encoder Z phase input	YELLOW 黃

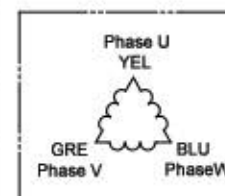
ELECTRICAL CONNECTION TABLE

+5V	RED 紅	UL1007 26 AWG
HALL U	YEL 黃	
HALL V	GRE 綠	
HALL W	BLU 藍	
GND	BLK 黑	UL1007 20 AWG
PHASE U	YEL 黃	
PHASE V	GRE 綠	
PHASE W	BLU 藍	

Connection diagram:



Hall sensor cable
Note: hall sensor power supply
voltage +5 to +20VDC



Wiring cable

REV.						Title: Specification	常州倍士福机电有限公司			
DESIGN								CLS.MAK	WEIGHT	SCALE
CHECK										www.besfoc.cn
PROC.						PAGE:	1/1			