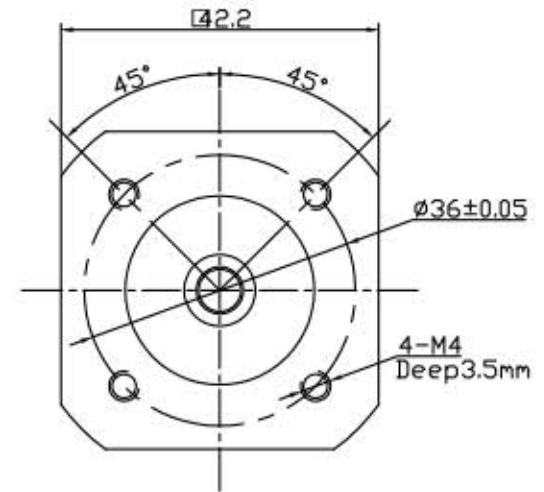
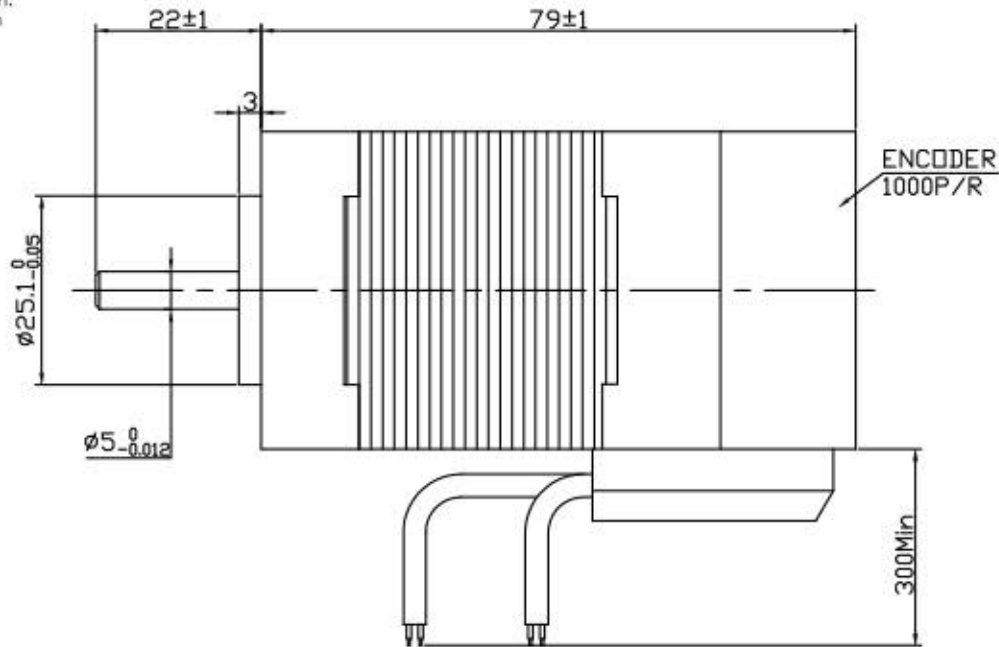


Dimension:  
Unit=mm



ROTATION: CW VIEWED FROM OUTPUT SHAFT

MANUFACTURER MODEL	JK42BLS02-X035ED
NUMBER OF POLES	8
PHASE TO PHASERESISTANCE	0.73 OHMS
NOMINAL VOLTAGE	24 VDC
NO LOAD SPEED	6500±10% RPM
NO LOAD CURRENT	0.45 Amps Max.
RATED TORQUE	0.143 N-m
RATED SPEED	4000±10% RPM
OUTPUT POWER	60 W
BACK EMF CONSTANT	4.1 V/kRPM
TORQUE CONSTANT	0.04 N-m/A
INSULATION CLASS	B

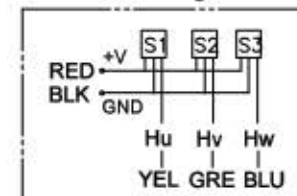
Encoder Wiring Diagram:

Vcc	Encoder Voltage(+5V)	RED 紅
EGND	Encoder Grand(0V)	BLK 黑
EA	Encoder A phase Input	GREEN 綠
EB	Encoder B phase Input	BLUE 藍
EZ	Encoder Z phase input	YELLOW 黃

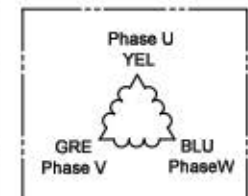
ELECTRICAL CONNECTION TABLE

+5V	RED 紅	UL1007 26 AWG
HALL U	YEL 黃	
HALL V	GRE 綠	
HALL W	BLU 藍	
GND	GND 黑	UL1007 20 AWG
PHASE U	YEL 黃	
PHASE V	GRE 綠	
PHASE W	BLU 藍	

Connection diagram:



Hall sensor cable  
Note: hall sensor power supply  
voltage +5 to +20VDC



Wiring cable

REV.						Title: Specification	常州倍士福机电有限公司			
DESIGN								CLS.MAK	WEIGHT	SCALE
CHECK										www.besfoc.cn
PROC.						PAGE:	1/1			