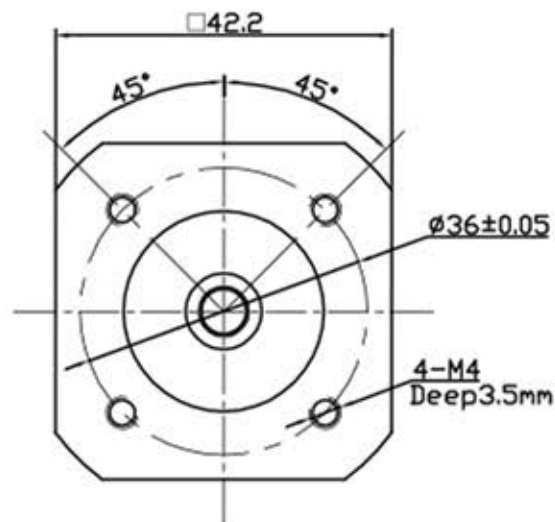
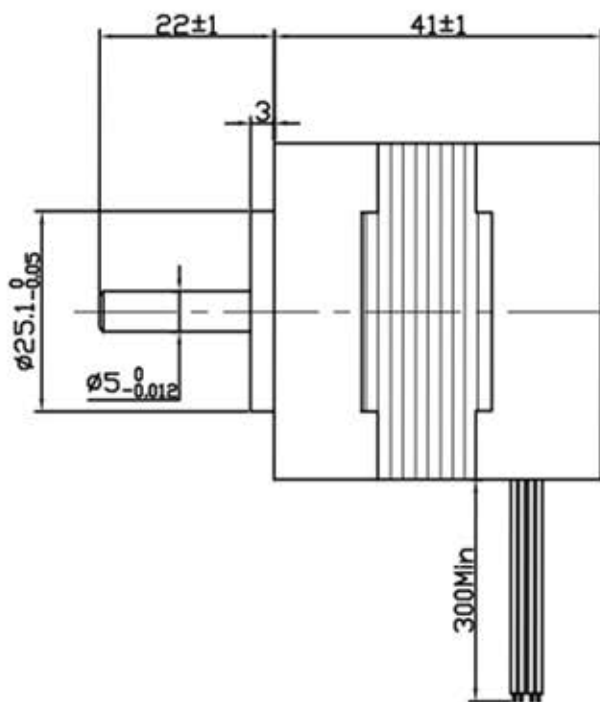


Dimension:
Unit=mm



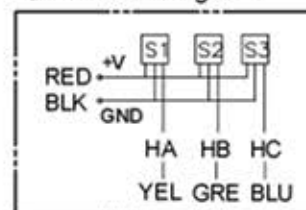
ROTATION: CW SEE FROM LEAD END

MANUFACTURER MODEL	JK42BLS01
NUMBER OF POLES	8
PHASE TO PHASERESISTANCE	1.8 OHMS
NOMINAL VOLTAGE	24 VDC
NO LOAD SPEED	5500±10% RPM
NO LOAD CURRENT	0.3 Amps Max.
RATED TORQUE	0.0625 N-m
RATED SPEED	4000±10% RPM
OUTPUT POWER	26 W
BACK EMF CONSTANT	4.36 V/kRPM
TORQUE CONSTANT	0.042 N-m/A
INSULATION CLASS	B

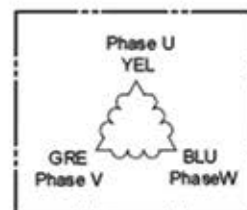
ELECTRICAL CONNECTION TABLE

+5V	RED	红	UL1007 26 AWG
HALL U	YEL	黄	
HALL V	GRE	绿	
HALL W	BLU	蓝	
GND	GND	黑	
PHASE U	YEL	黄	UL1007 20 AWG
PHASE V	GRE	绿	
PHASE W	BLU	蓝	

Connection diagram:



Hall sensor cable
Note: hall sensor power supply
voltage +5 to +20VDC



Wiring cable

				Title:			常州倍士福机电有限公司		
				Specification					
REV.		SIG.	DATE	CLS.MAK	WEIGHT	SCALE	BF42BLS01		
DESIGN									
CHECK									
PROC.		APPR.		PAGE:	1/1		www.besfoc.cn		