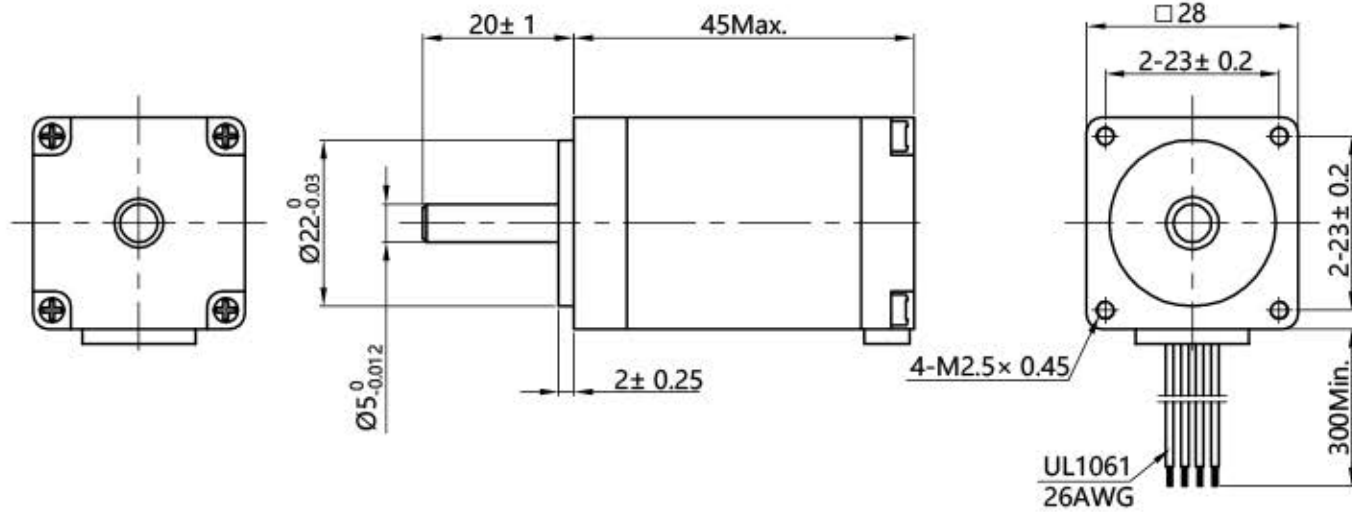
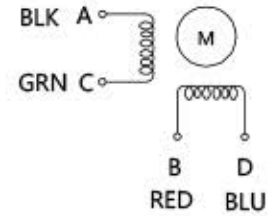


# HYBRID STEPPING MOTOR SPECIFICATION

DIMENSIONS unit=mm



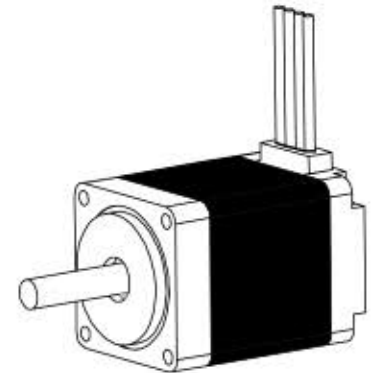
Wiring Diagram



Exciting Sequence vs. Direction of Rotation

| STEP | A | B | C | D |       |
|------|---|---|---|---|-------|
| 1    | + | + | - | - | CCW ↑ |
| 2    | - | + | + | - |       |
| 3    | - | - | + | + |       |
| 4    | + | - | - | + |       |

Clockwise view from mounting side



|                        |                           |                |  |  |  |
|------------------------|---------------------------|----------------|--|--|--|
| 1. Number of Phase     | 2                         |                |  |  |  |
| 2. Step Angle          | 1.8° deg.                 |                |  |  |  |
| 3. Rated Voltage       | 4.6 V                     |                |  |  |  |
| 4. Rated Current/Phase | 0.67 A ( Peak Value)      |                |  |  |  |
| 5. Phase Resistance    | 6.8 Ω ± 0.1(20°C)         |                |  |  |  |
| 6. Phase Inductance    | 4.9 mH ± 20%(1kHz 1V RMS) |                |  |  |  |
| 7. Holding Torque      | 950g.cm                   |                |  |  |  |
| 8. Insulation Class    | B (130° ) ; 80K Max.      |                |  |  |  |
| 9. Weight              | 0.14 kg                   |                |  |  |  |
| <b>Specifications</b>  |                           | <b>Comment</b> |  |  |  |

| REV.       | REVISION RECORD | DATE |
|------------|-----------------|------|
| DESIGN     |                 |      |
| STANDARD   |                 |      |
| TECHNOLOGY |                 |      |
| CHECK      |                 |      |
| APPROVE    |                 |      |

常州倍士福机电有限公司  
www.besfoc.cn  
Specification

|          |                |       |      |       |        |
|----------|----------------|-------|------|-------|--------|
| TITLE    | STEPPING MOTOR |       |      |       |        |
| DWG.NO.  | BF28HS45-0674  |       |      |       |        |
| MATERIAL | ECN SIGN       | *     | SIZE | A4    |        |
| REV.     | A              | SCALE | 1:1  | SHEET | 1 of 1 |