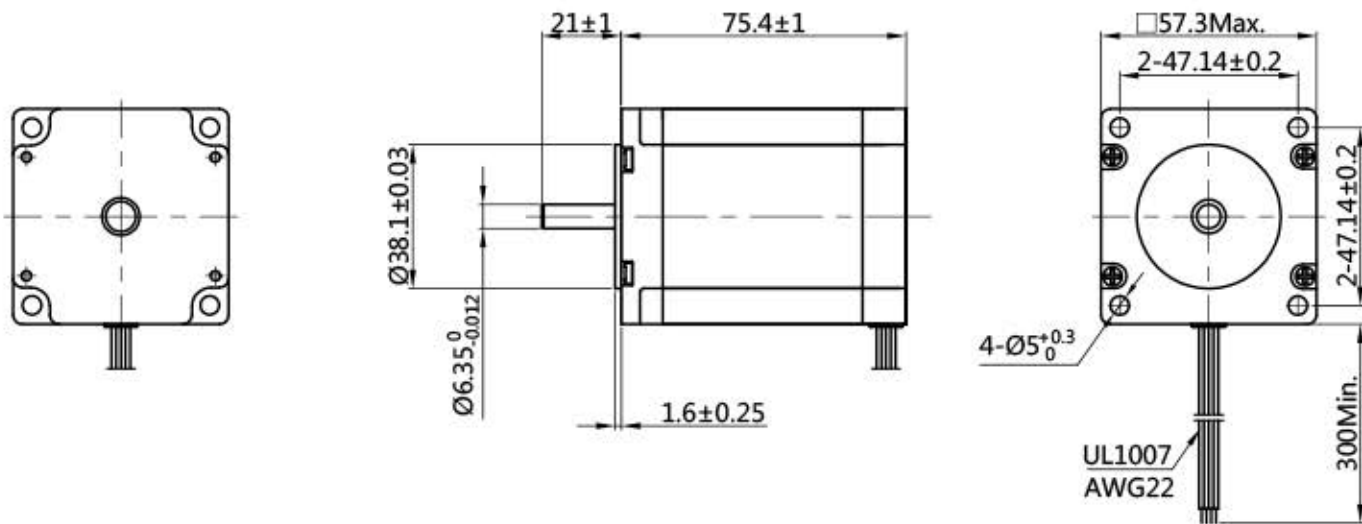
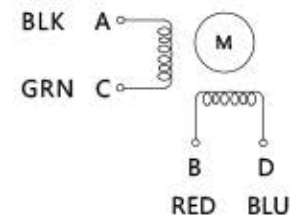


HYBRID STEPPING MOTOR SPECIFICATION

DIMENSIONS unit=mm



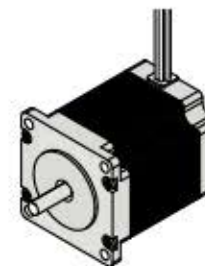
Wiring Diagram



Exciting Sequence vs. Direction of Rotation

STEP	A	B	C	D	
1	+	+	-	-	
2	-	+	+	-	
3	-	-	+	+	
4	+	-	-	+	

Clockwise view from mounting side



1. Number of Phase	2				
2. Step Angle	1.8° deg.				
3. Rated Voltage	3.08 V				
4. Rated Current/Phase	2.8 A (Peak Value)				
5. Phase Resistance	1.1 $\Omega \pm 10\%$ (20°C)				
6. Phase Inductance	3.6 mH $\pm 20\%$ (1kHz 1V RMS)				
7. Holding Torque	1.89 N.m				
8. Insulation Class	B (130°) ; 80K Max.				
9. Weight	1.1 kg				
Specifications		Comment			
		REV. REVISION RECORD		DATE	
		DESIGN	常州倍士福机电有限公司		
		STANDARD	www.besfoc.cn		
		TECHNOLOGY	Specification		
		CHECK			
		APPROVE			

TITLE	STEPPING MOTOR				
DWG.NO.	BF57HS76-2804				
MATERIAL	ECN SIGN	※	SIZE	A4	
REV.	A	SCALE	1:2	SHEET	1 of 1